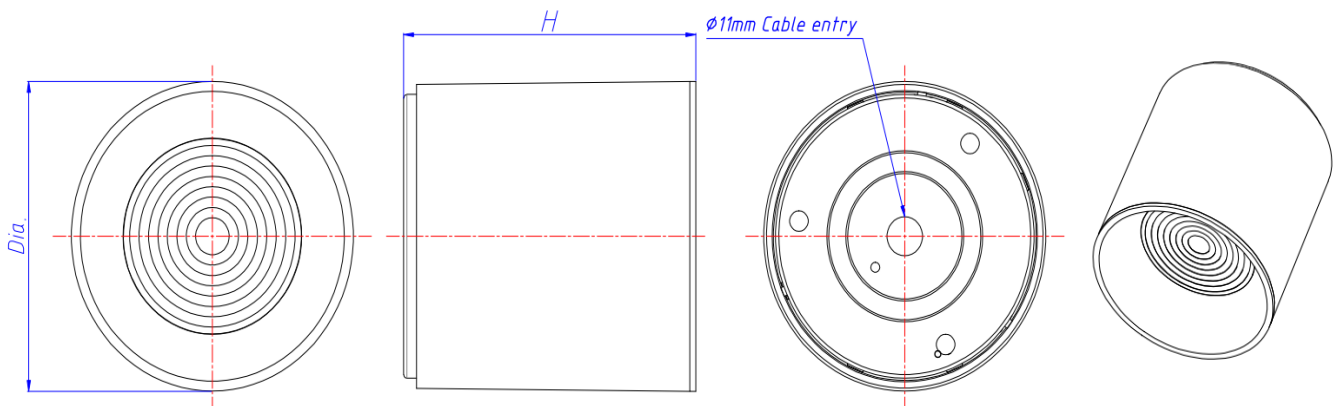


*Orbit*

**Orbit-152 Lighting Kits drawings & assembly**

**Drawings & Type Selection**

Type	Dia.(mm)	Height(mm)	Power(w)	LES(mm)	Beam Angle	Cut-out(mm)
Orbit-152	130	152	25	17	50°	N/A



**Components introduction**

- 1.Remove the reflector, Install the COB
2. Fix the COB by the holder and screw
- 3.Vertically align the shrapnel and press down on the reflector assembly



- 4.The three notches of the lid are positioned on the three semicircular columns of the radiator



5. Press the outer plane of the bottom cover by hand, and rotate the cover counterclockwise to put it in position.

