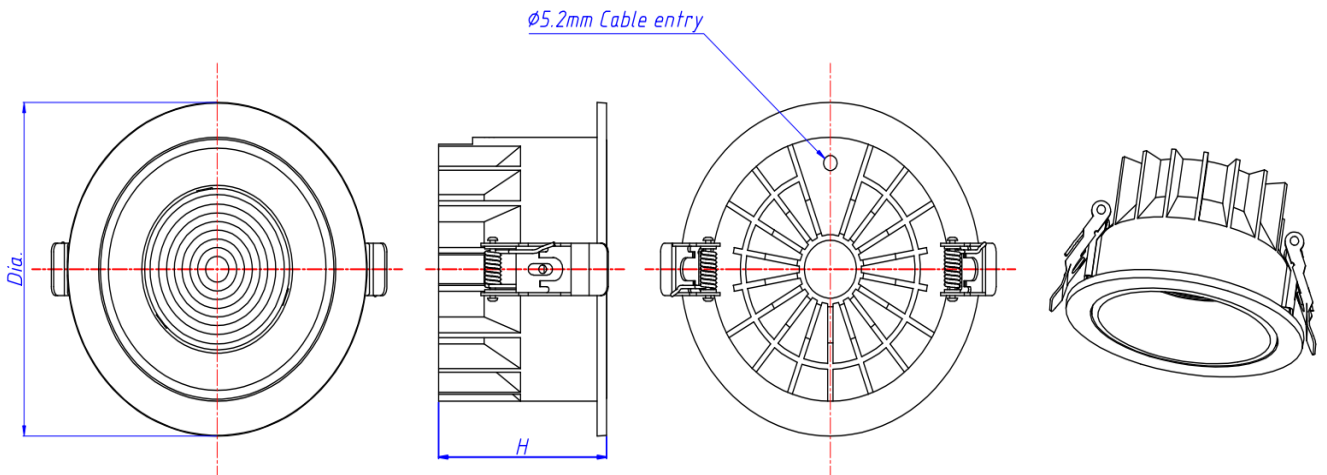


*Eden*

**Eden-8001E Lighting Kits Drawings & Assembly**

**Drawings & Type Selection**

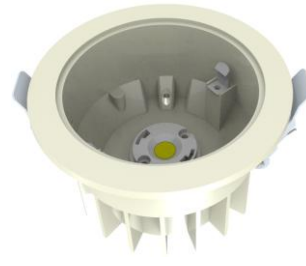
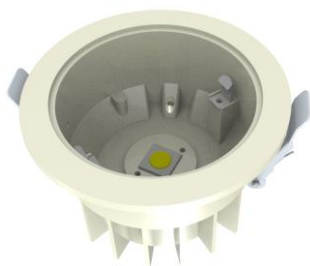
Type	Dia.(mm)	Height(mm)	Power(w)	LES(mm)	Beam Angle	Cut-out(mm)
Eden-8001E	230	102	50	17	50°	215



**Components introduction**

1.Remove the reflector, Install the COB

2. Fix the COB by the holder and screw



3.Vertically align the shrapnel and press down on the reflector assembly